

Title **stm32dds signal generator (Lite)**

Size: A4

Number:

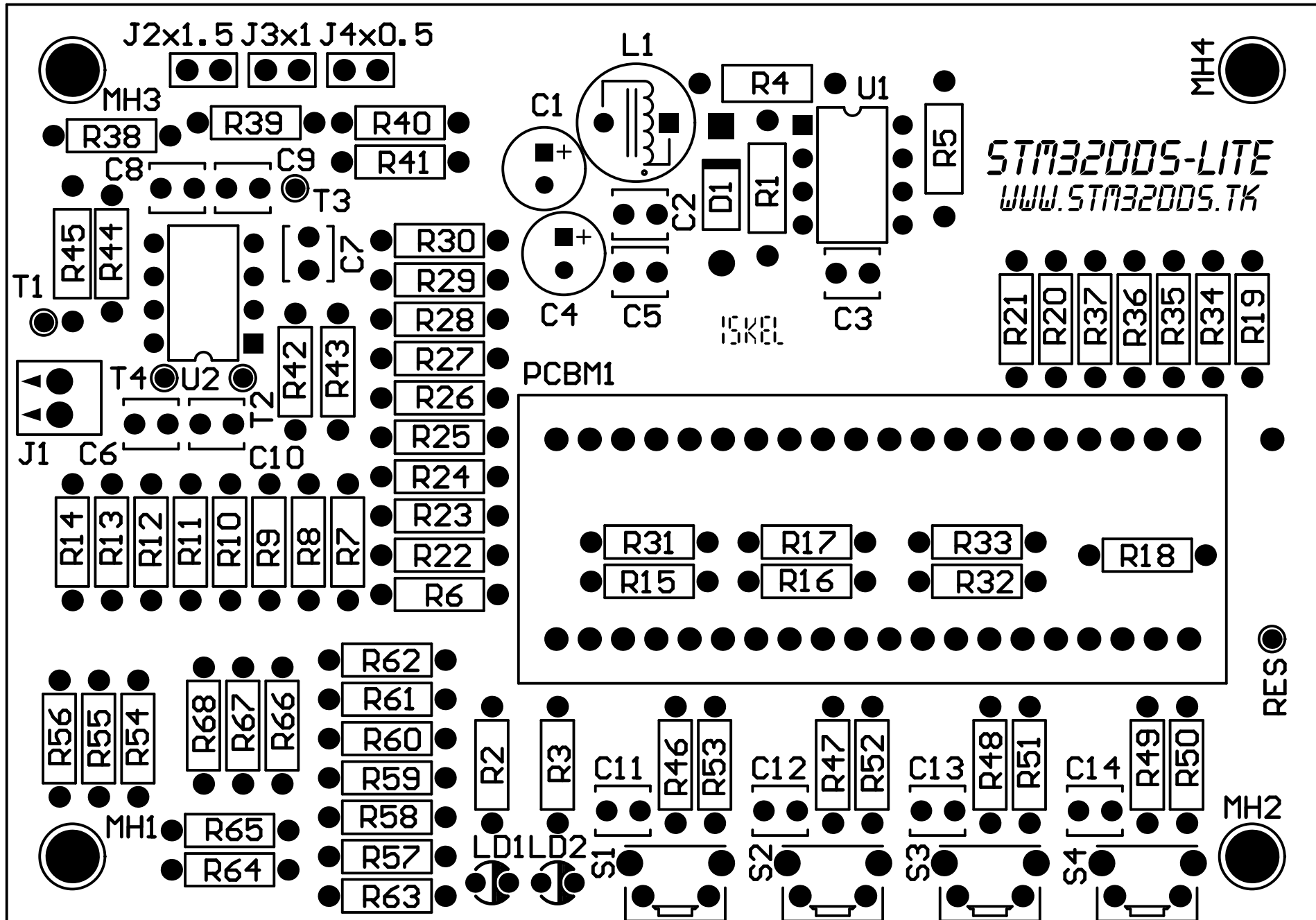
Revision:

Designed & donated to
www.stm32dds.tk
Copyright Protected
(use as reference only)

Date: 8.8.2023 r. Time: 20:35:16

Sheet 1 of 1

File: stm32dds Lite.SchDoc



STM32005-LITE
WWW.STM32005.TK

MH4

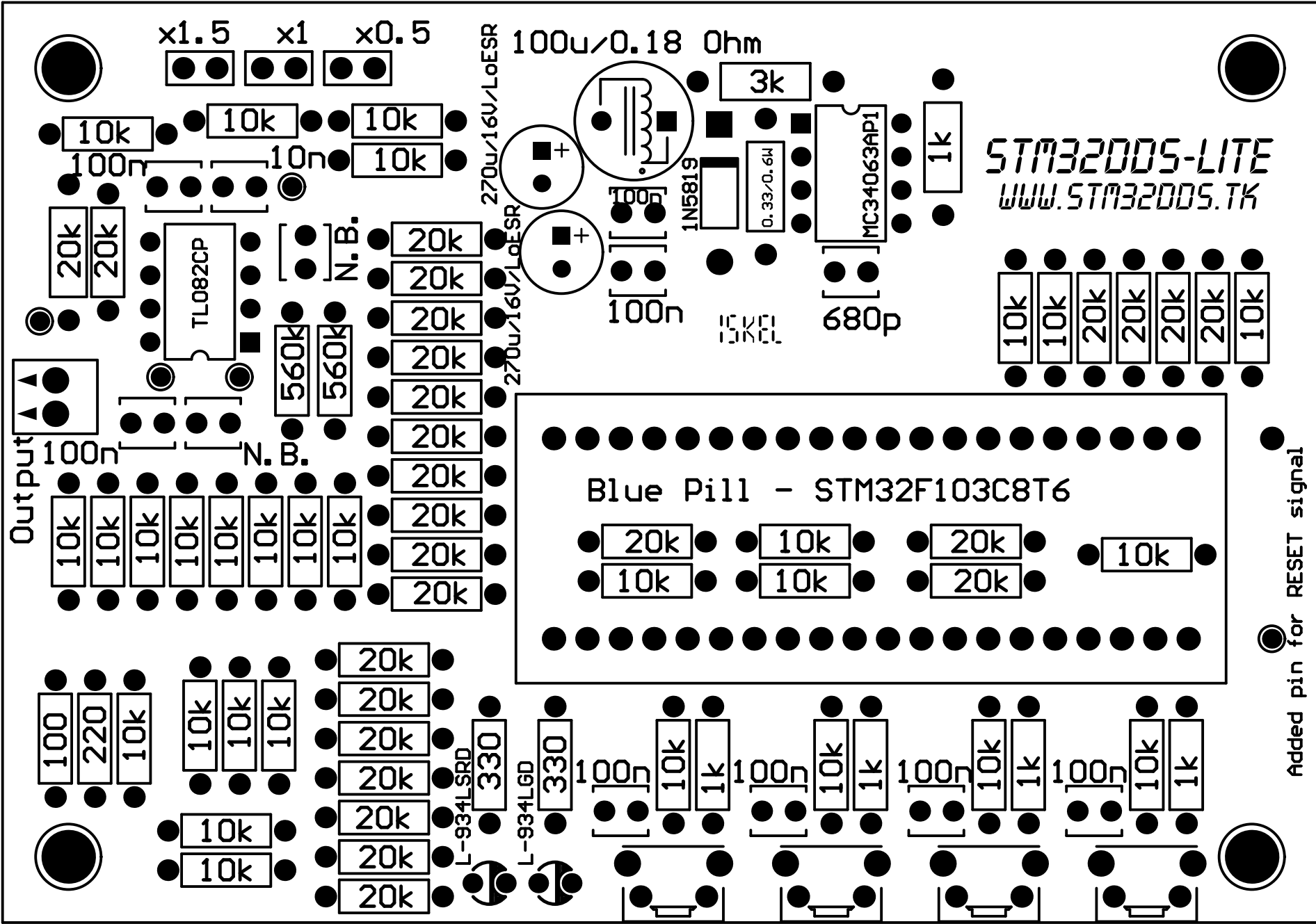
RES

MH2

J2x1.5 J3x1 J4x0.5

PCBM1

15KEL



STM32005-LITE
WWW.STM32005.TK

Blue Pill - STM32F103C8T6

20k	10k	20k	10k
10k	10k	20k	10k

Output ▲

Added pin for RESET signal

x1.5 x1 x0.5

270u/16V/LoESR 100u/0.18 0hm

10k 10k 10k
100n 10n 10k

20k 20k
TL082CP
560k 560k
N.B.

20k 20k 20k 20k 20k 20k 20k 20k 20k 20k 20k 20k

1N5819 0.33/0.6A
100n 10k 680p
MC34063AP1 1k

10k 10k 20k 20k 20k 20k 10k

100 220 10k
10k 10k 10k
20k 20k 20k 20k
L-934LSRD 330
L-934LGD 330

100n 10k 1k 100n 10k 1k 100n 10k 1k 100n 10k 1k